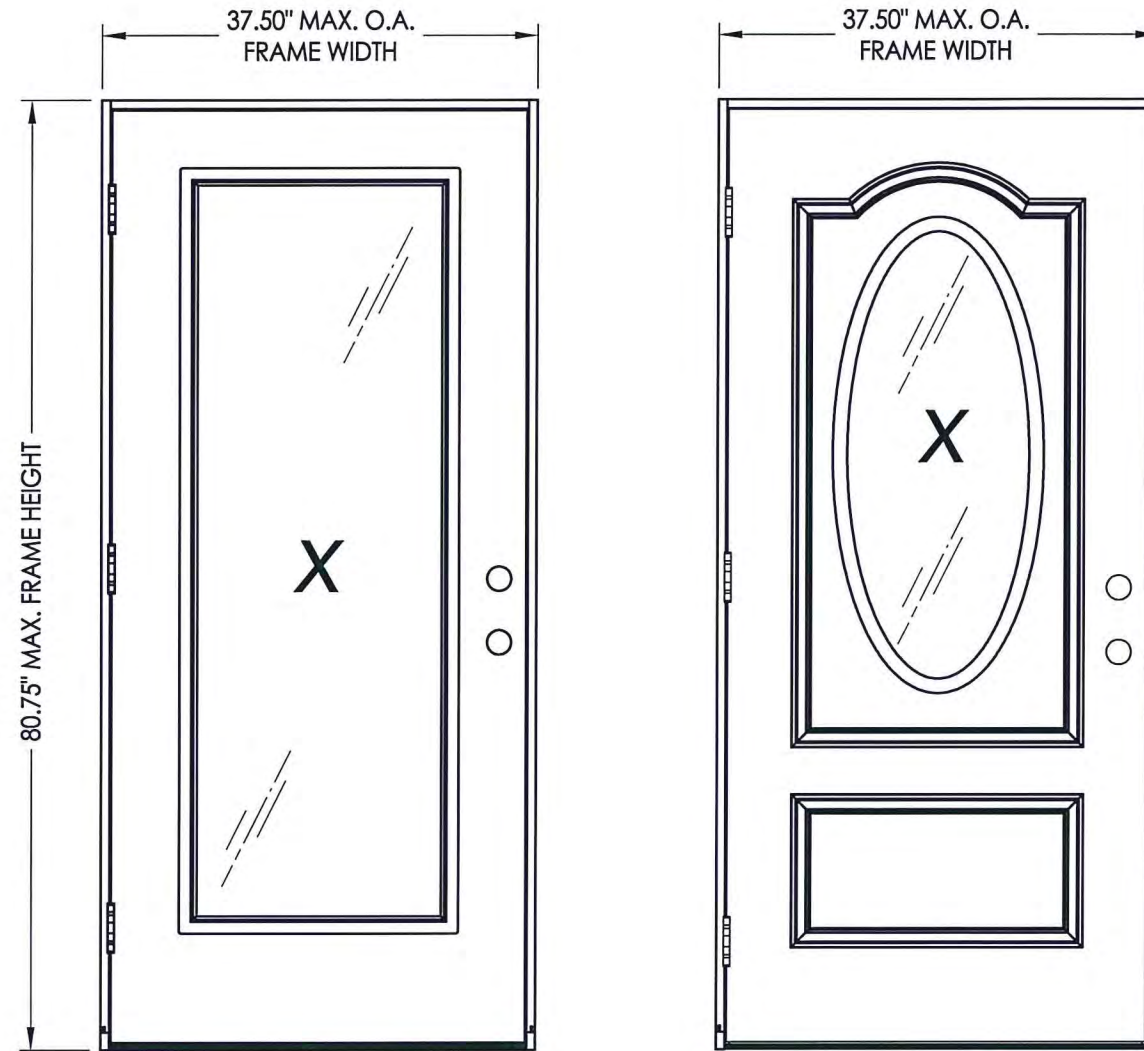


# GLAZED FIBERGLASS "IMPACT" DOOR OUTSWING

### GENERAL NOTES

1. This product has been evaluated and is in compliance with the 5th Edition (2014) Florida Building Code (FBC) structural requirements including the "High Velocity Hurricane Zone" (HVHZ).
2. Product anchors shall be as listed and spaced as shown on details. Anchor embedment to base material shall be beyond wall dressing or stucco.
3. When used in the "HVHZ" this product complies with Section 1626 of the Florida Building Code and does not require an impact resistant covering.
4. When used in areas outside of the "HVHZ" requiring wind borne debris protection this product complies with Section 1609.1.2 of the FBC and does not require an impact resistant covering. This product meets missile level "D" and includes Wind Zone 4 as defined in ASTM E1996 and Section 1609.1.2.2 of the FBC.
5. For 2x stud framing construction, anchoring of these units shall be the same as that shown for 2x buck masonry construction.
6. Site conditions that deviate from the details of this drawing require further engineering analysis by a licensed engineer or registered architect.
7. This product meets water infiltration requirements for "HVHZ".

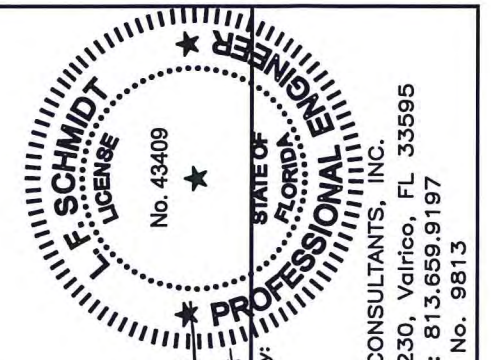
TABLE OF CONTENTS	
SHEET#	DESCRIPTION
1	Typical elevations, design pressures & general notes
2	Door panel details and glazing details
3	Door panel details and glazing details
4	Horizontal cross sections
5	Vertical cross sections
6	Buck and frame anchoring
7	Components
8	Bill of materials



**DOOR WITH RECTANGULAR LITE**

**DOOR WITH OVAL LITE**

SWING	MAX. FRAME DIMENSION	GLASS TYPE	DESIGN PRESSURE (PSF)	
			POSITIVE	NEGATIVE
OUTSWING (RECTANGULAR)	37.50" x 80.75"	G1, G2 & G3	+60.0	-60.0
OUTSWING (OVAL)	37.50" x 80.75"	G1, G4	+75.0	-75.0



Documents Prepared By:  
Lyndon F. Schmidt  
P.E. No. 43409

*R.W.* BUILDING CONSULTANTS, INC.  
P.O. Box 230, Valrico, FL 33595  
Phone No.: 813.659.9197  
FBPE C.A. No. 9813

PRODUCT: TRINITY GLASS INT'L

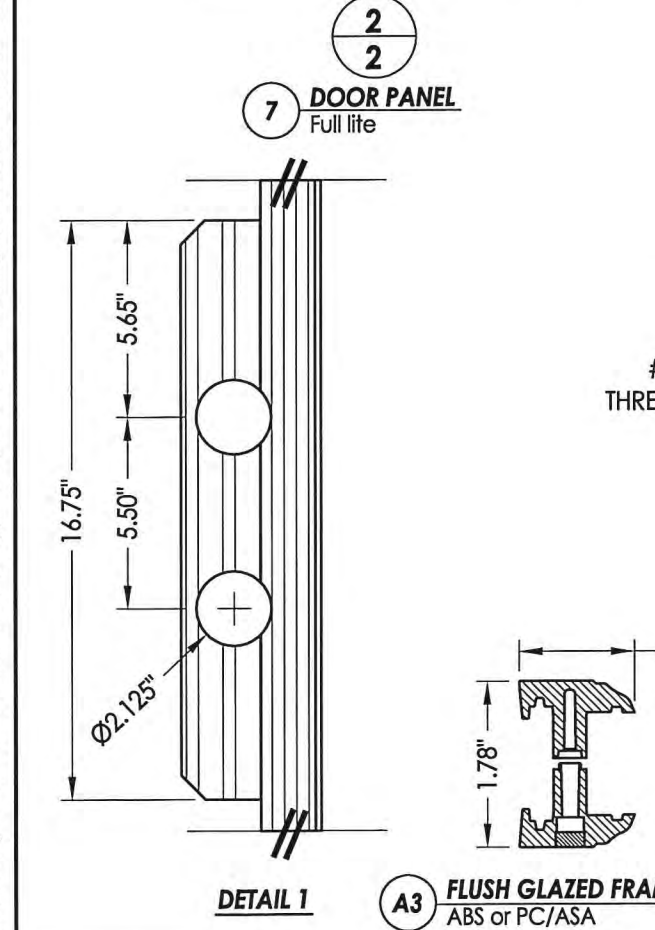
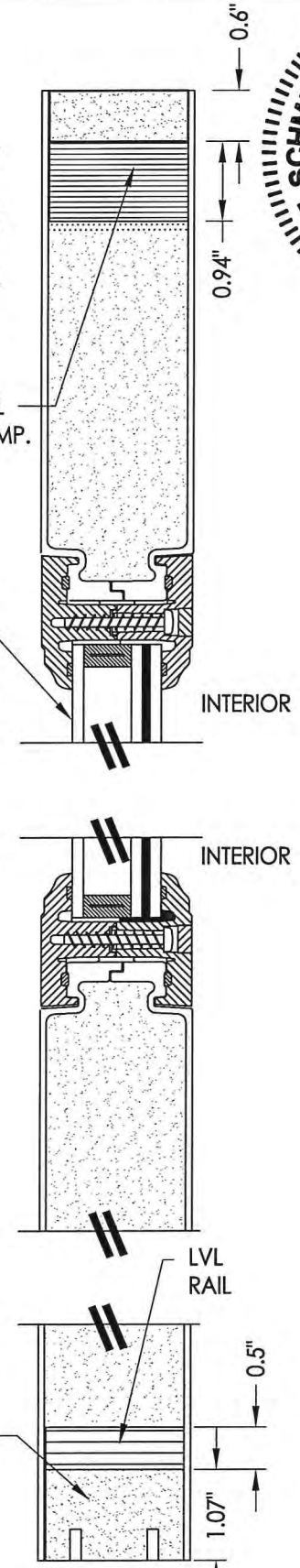
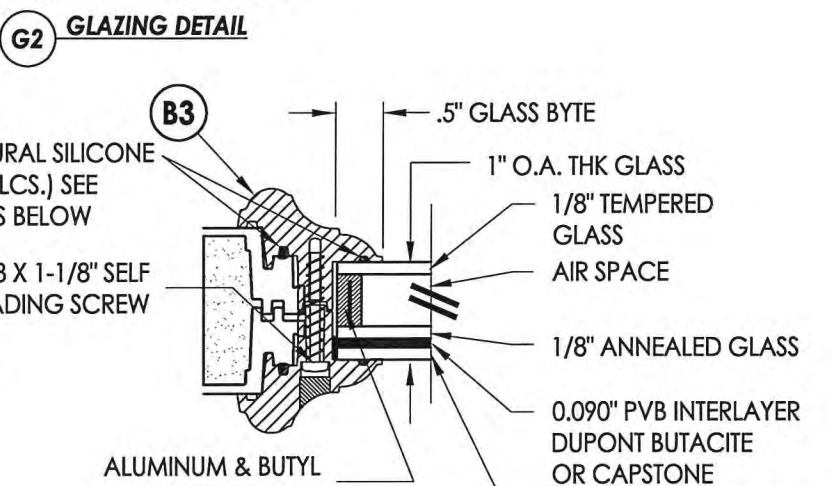
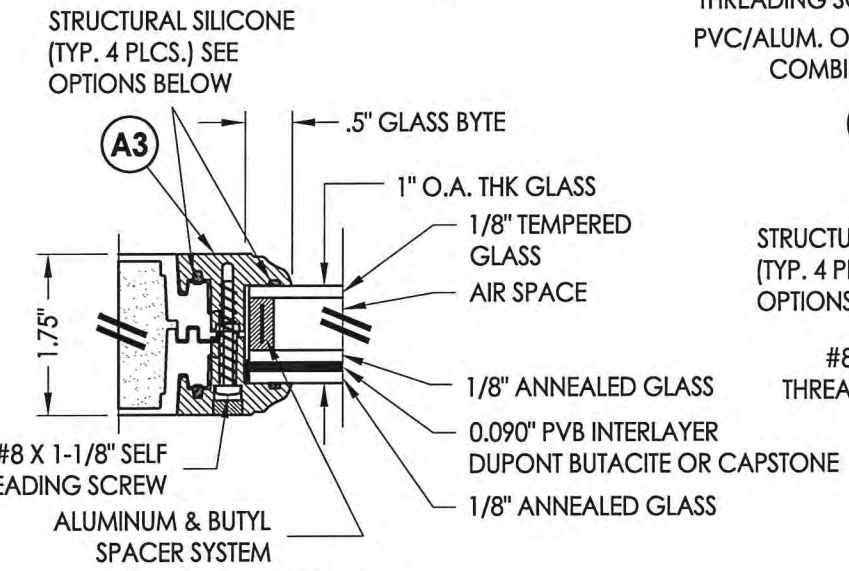
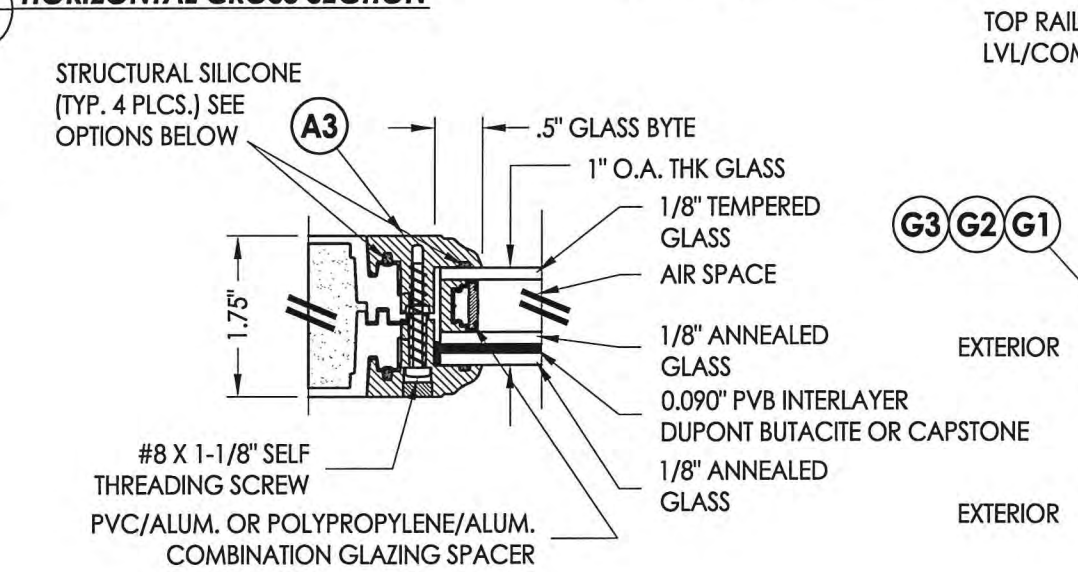
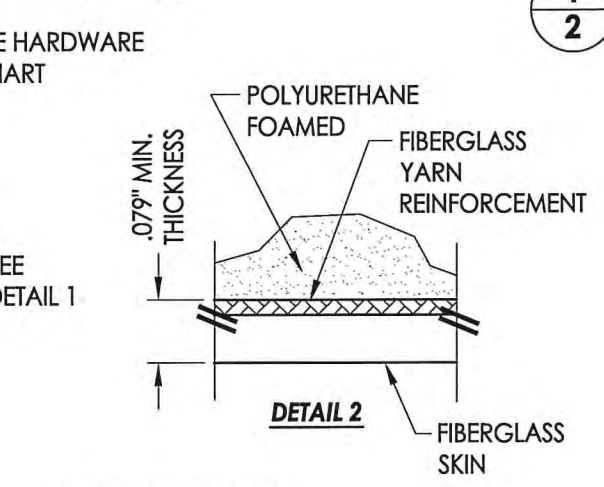
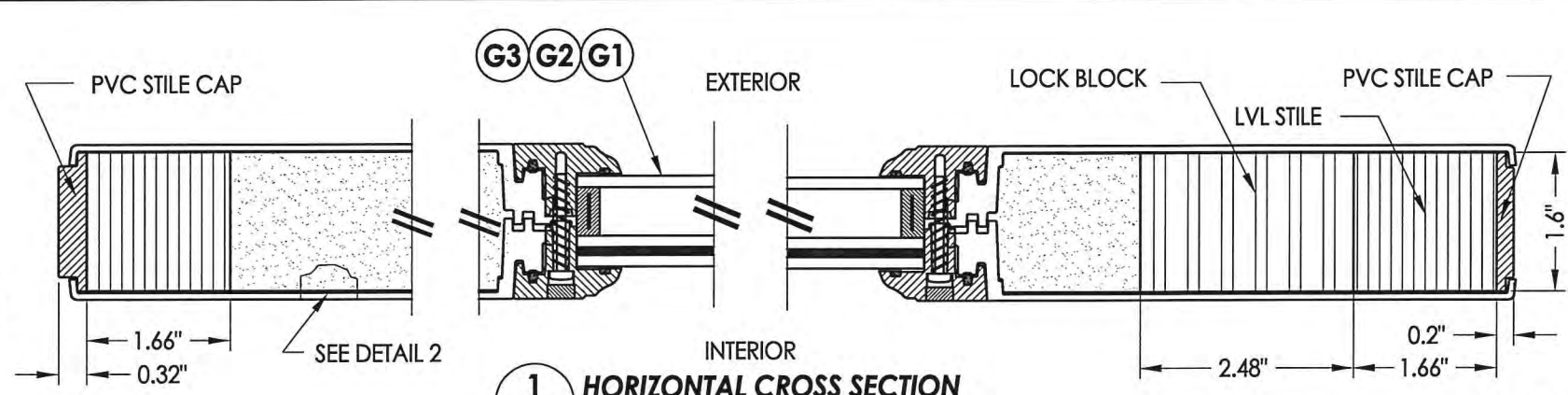
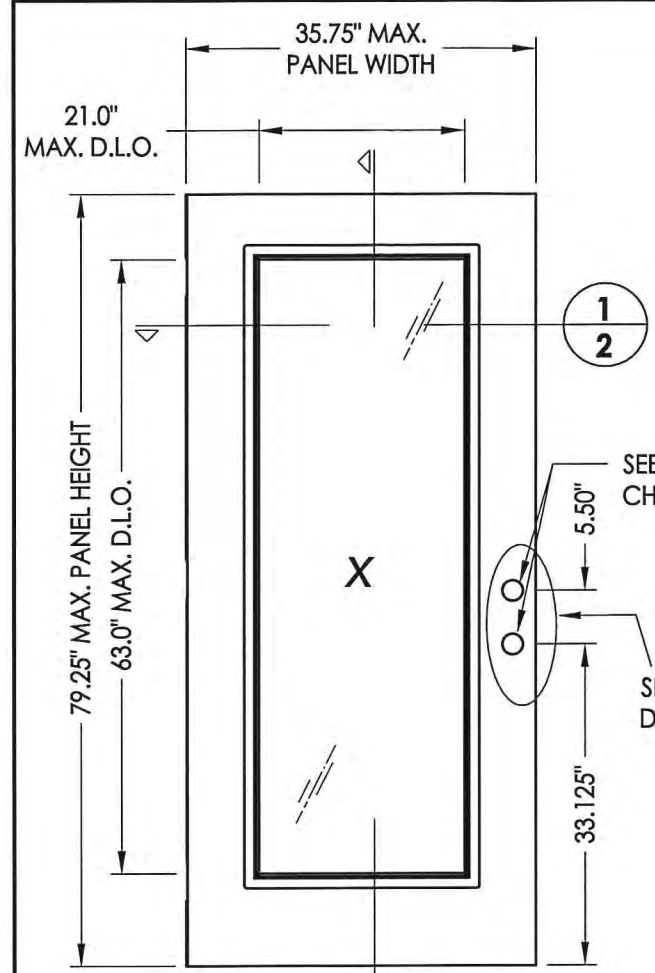
PART OR ASSEMBLY:  
TYPICAL ELEVATION, DESIGN PRESSURES & GENERAL NOTES

NO.	DATE	BY	REVISIONS
1	03/02/15	JK	UPDATE TO 5TH ED. (2014) FBC

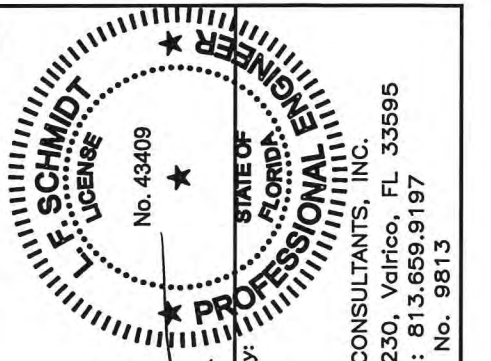
DATE: 02/27/12  
SCALE: N.T.S.  
DWG. BY: JK  
CHK. BY: LFS  
DRAWING NO.: FL-15255.5  
SHEET 1 OF 8



R:\Clients\Trinity PERMANENT\Florida Product Approvals\FL-15255\C - Drawings\FL-15255\5-8.dwg, 2.1



HARDWARE CHART	
MANUFACTURER	MODEL
KWIKSET	KNOB: SIGNATURE SERIES DEADBOLT: SIGNATURE SERIES (980)



Documents Prepared By:  
Lyndon F. Schmidt  
P.E. No. 43409

RW  
BUILDING CONSULTANTS, INC.  
P.O. Box 230, Valrico, FL 33595  
Phone No.: 813.659.9197  
FBPE C.A. No. 9813

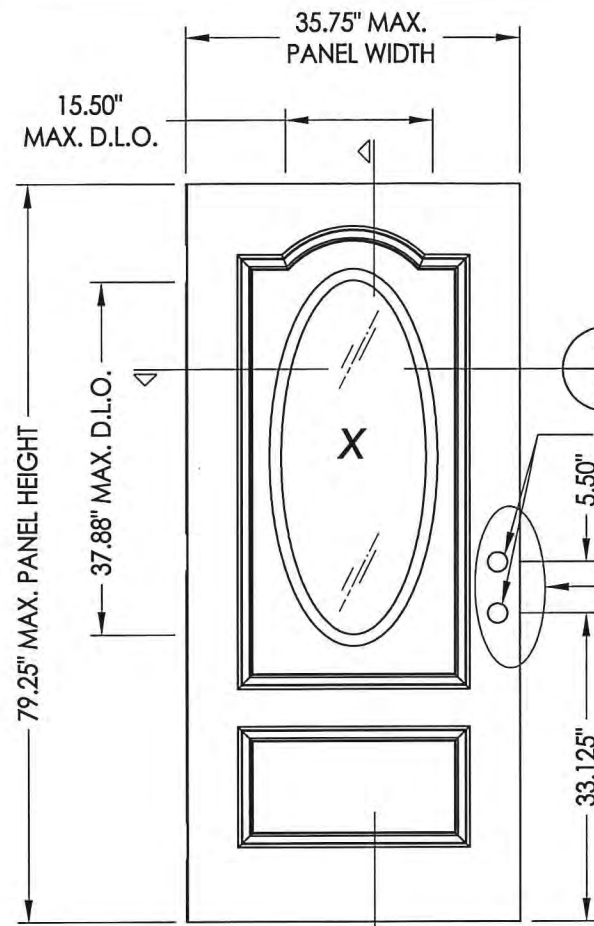
PRODUCT: TRINITY GLASS INT'L

PART OR ASSEMBLY: DOOR PANEL DETAILS AND GLAZING DETAILS

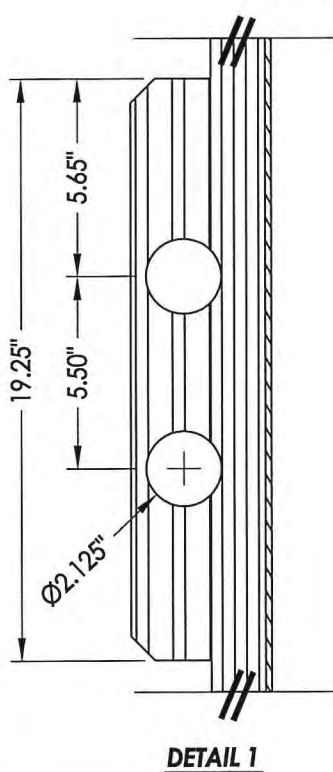
NO.	DATE	REVISIONS
1	03/02/15	UPDATE TO 5TH ED. (2014) FBC
JK		BY

DATE: 02/27/12  
SCALE: N.T.S.  
DWG. BY: JK  
CHK. BY: LFS  
DRAWING NO.: FL-15255.5  
SHEET 2 OF 8

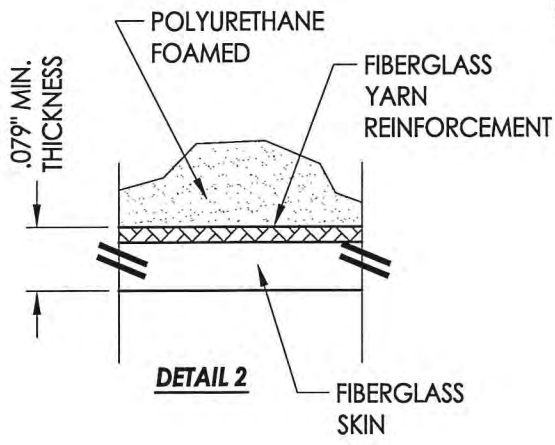
R:\Clients\Trinity PERMANENT\Florida Product Approvals\FL-15255\C - Drawings\FL-15255-5-8.dwg, 2.1 (2)



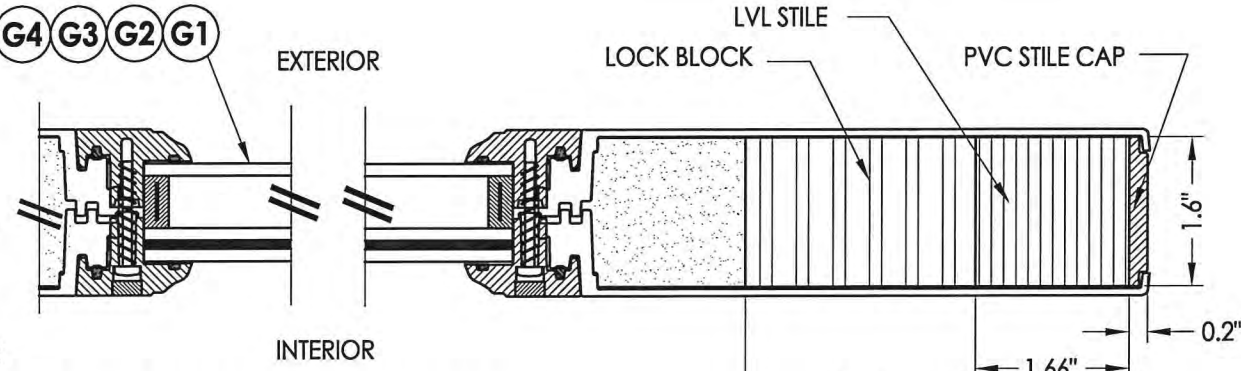
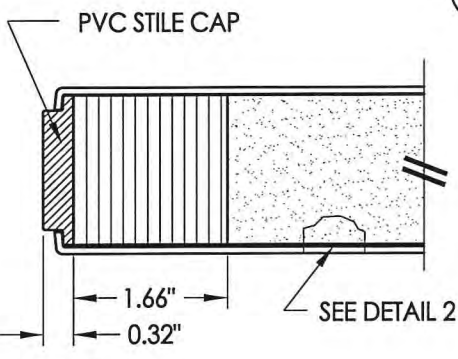
**7 DOOR PANEL**  
Oval lite



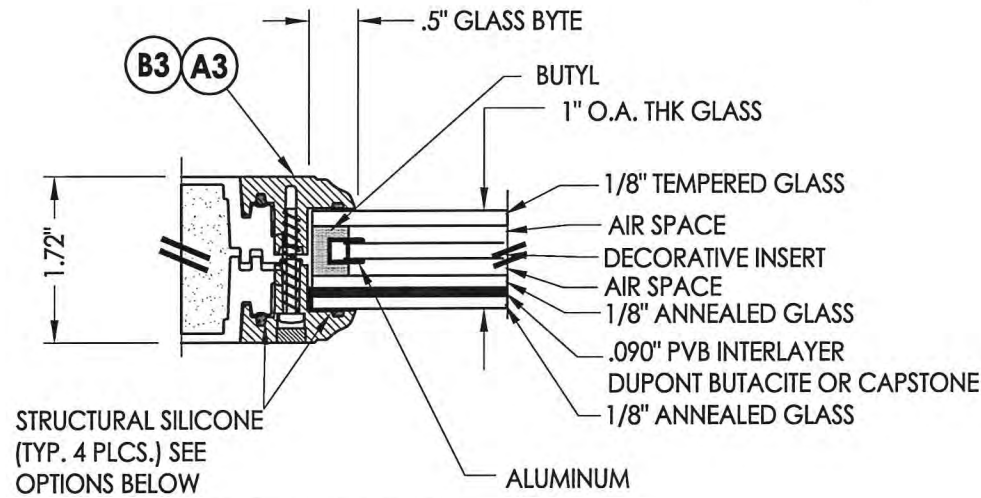
HARDWARE CHART	
MANUFACTURER	MODEL
KWIKSET	<b>KNOB: SIGNATURE SERIES</b> <b>DEADBOLT: SIGNATURE SERIES (980)</b>



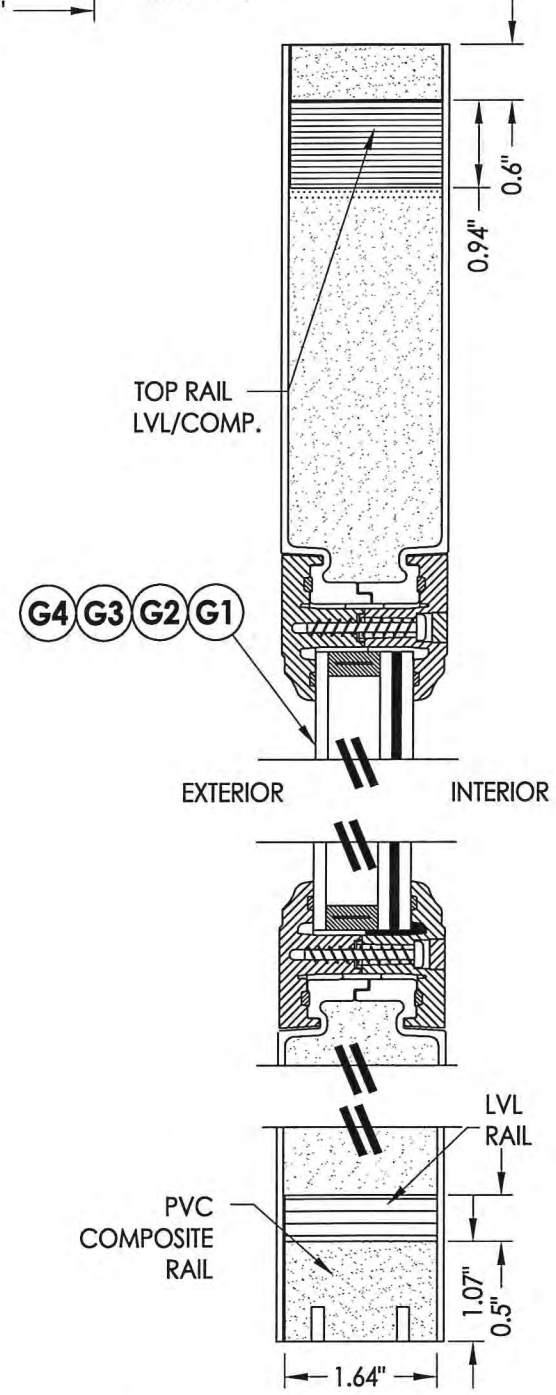
**1**  
**3**  
SEE HARDWARE CHART



**1**  
**3**  
**HORIZONTAL CROSS SECTION**

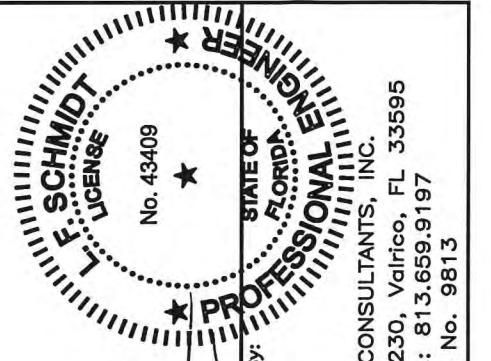


**G4**  
**GLAZING DETAIL**



**2**  
**3**  
**VERTICAL CROSS SECTION**

STRUCTURAL SILICONE OPTIONS:  
 SILICONE BY CAPSTONE (4PL)  
 DOW 995 STRUCTURAL SILICONE  
 SILICONE BY DONGYANG SILICONE CO.



Documents Prepared By:  
 Lyndon F. Schmidt  
 P.E. No. 43409

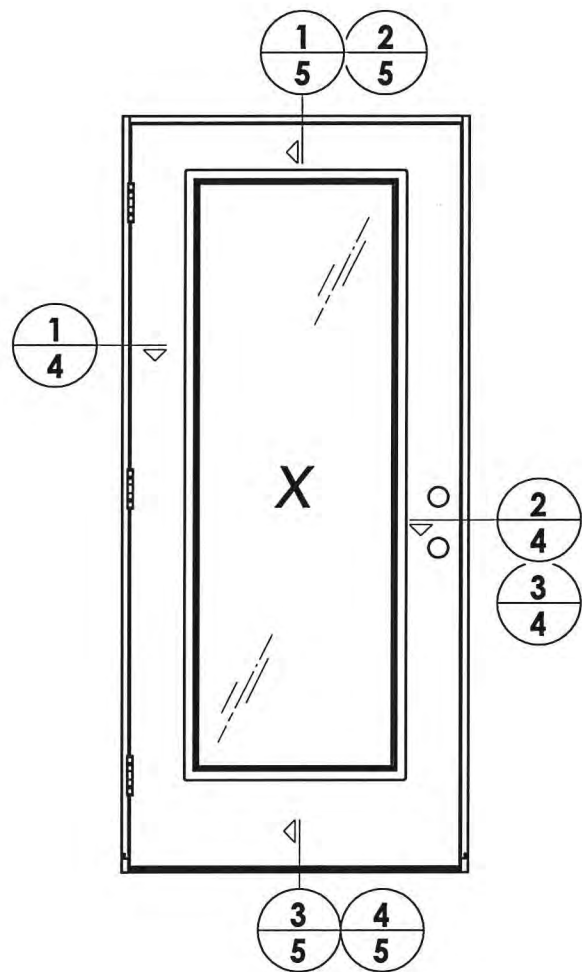
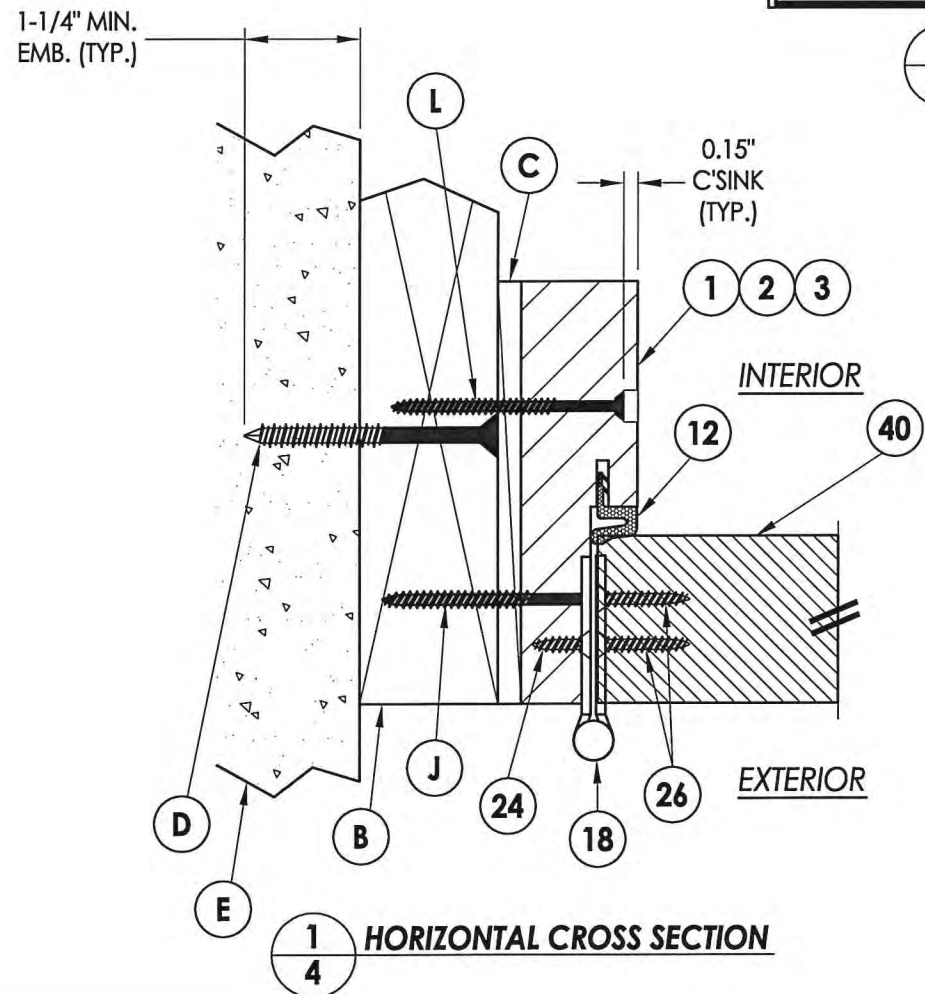
**RW** BUILDING CONSULTANTS, INC.  
 P.O. Box 230, Valrico, FL 33595  
 Phone No.: 813.659.9197  
 FBPE C.A. No. 9813

PRODUCT: TRINITY GLASS INT'L  
 PART OR ASSEMBLY: DOOR PANEL DETAILS AND GLAZING DETAILS

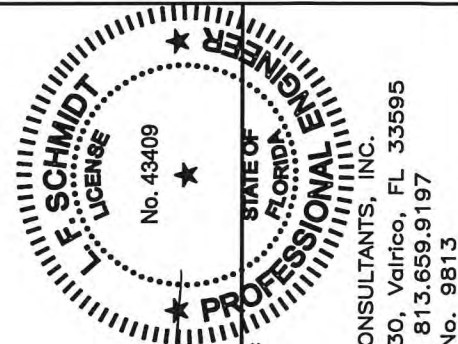
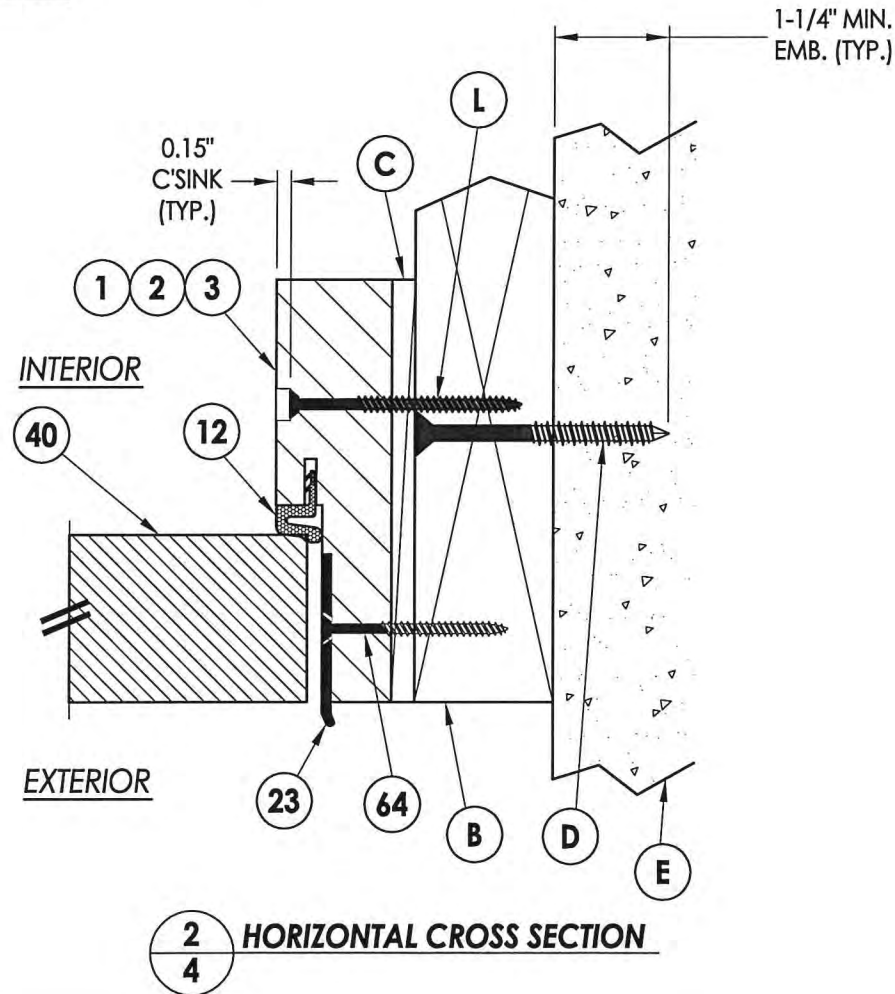
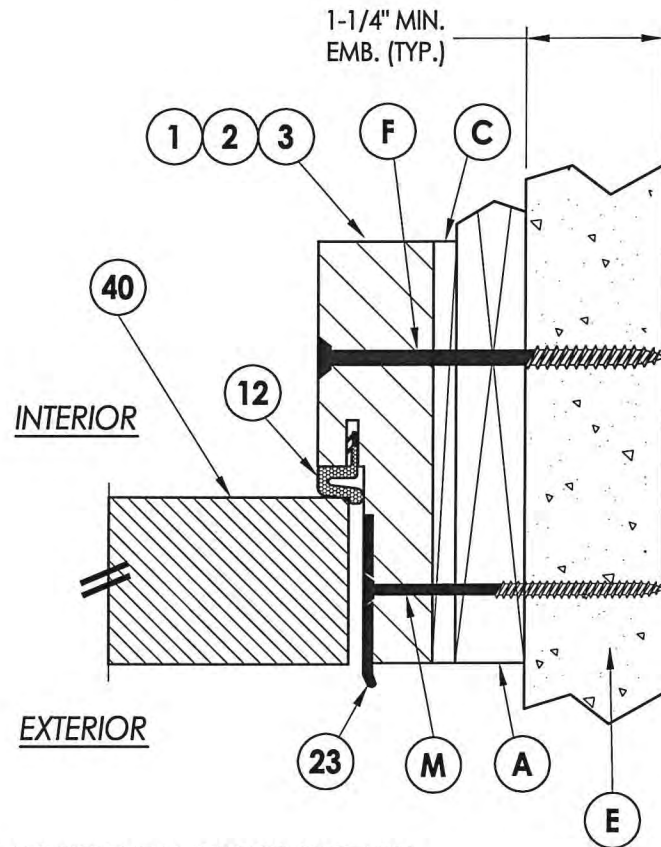
NO.	DATE	REVISIONS
1	03/02/15	UPDATE TO 5TH ED. (2014) FBC

DATE: 02/27/12  
 SCALE: N.T.S.  
 DWG. BY: JK  
 CHK. BY: LFS  
 DRAWING NO.: FL-15255.5  
 SHEET 3 OF 8





3 HORIZONTAL CROSS SECTION  
4 Shown w/1X sub-buck



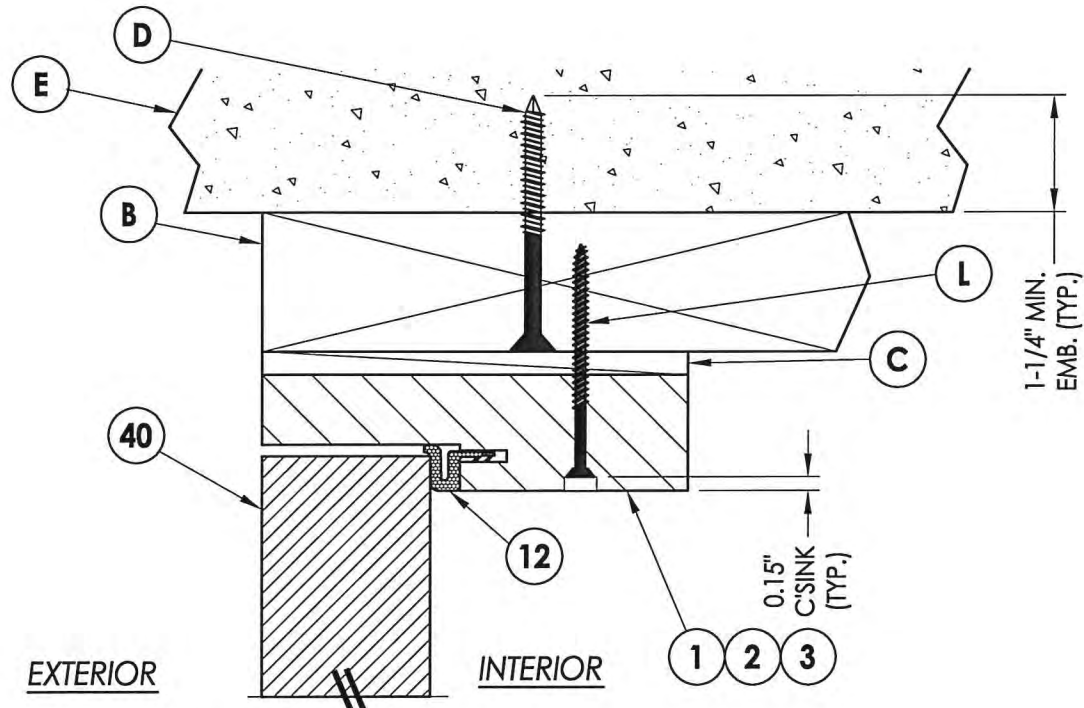
Documents Prepared By:  
Lyndon F. Schmidt  
P.E. No. 43409

RW BUILDING CONSULTANTS, INC.  
P.O. Box 230, Valrico, FL 33595  
Phone No.: 813.659.9197  
FBPE C.A. No. 9813

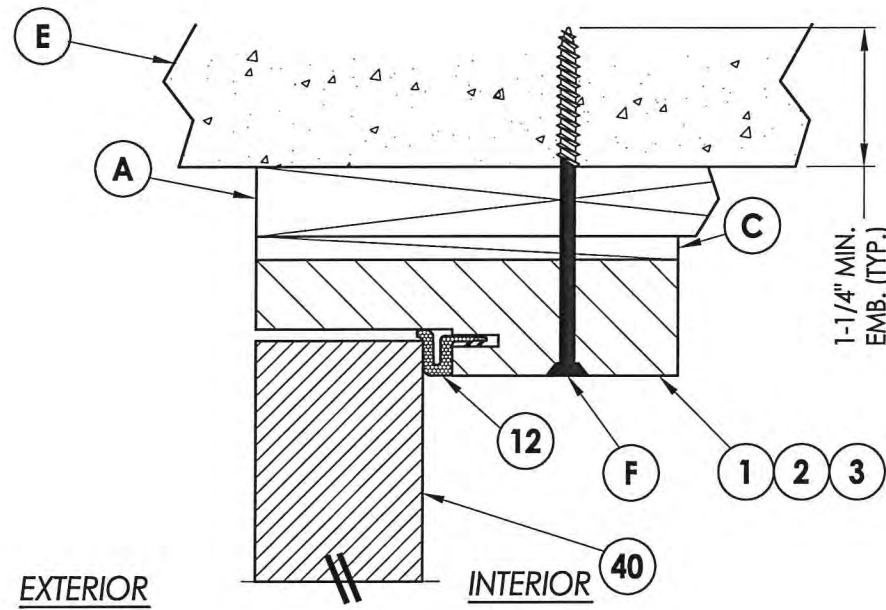
PRODUCT:	TRINITY GLASS INT'L
PART OR ASSEMBLY:	HORIZONTAL CROSS SECTIONS

NO.	DATE	BY	REVISIONS
1	03/02/15	JK	UPDATE TO 5TH ED. (2014) FBC

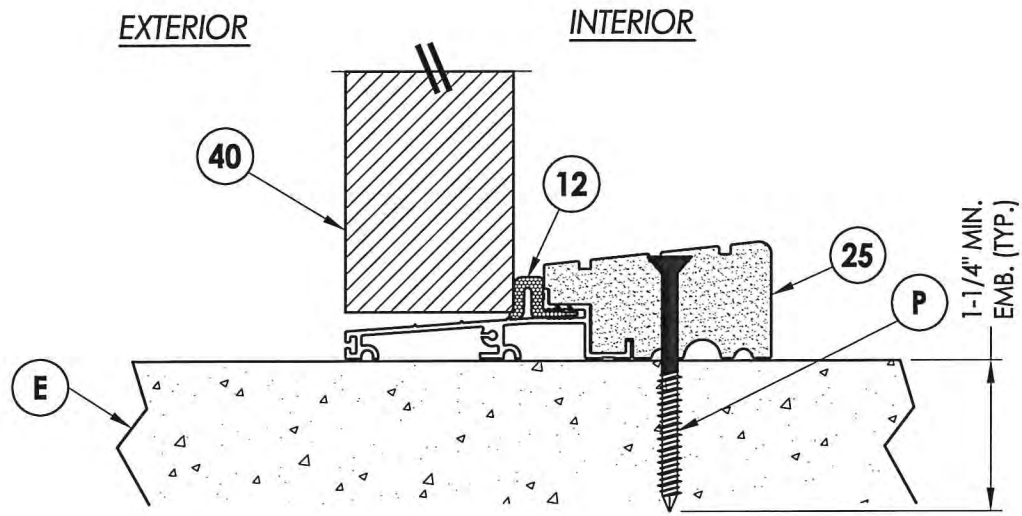
DATE:	2/27/12
SCALE:	N.T.S.
DWG. BY:	JK
CHK. BY:	LFS
DRAWING NO.:	FL-15255.5
SHEET	4 OF 8



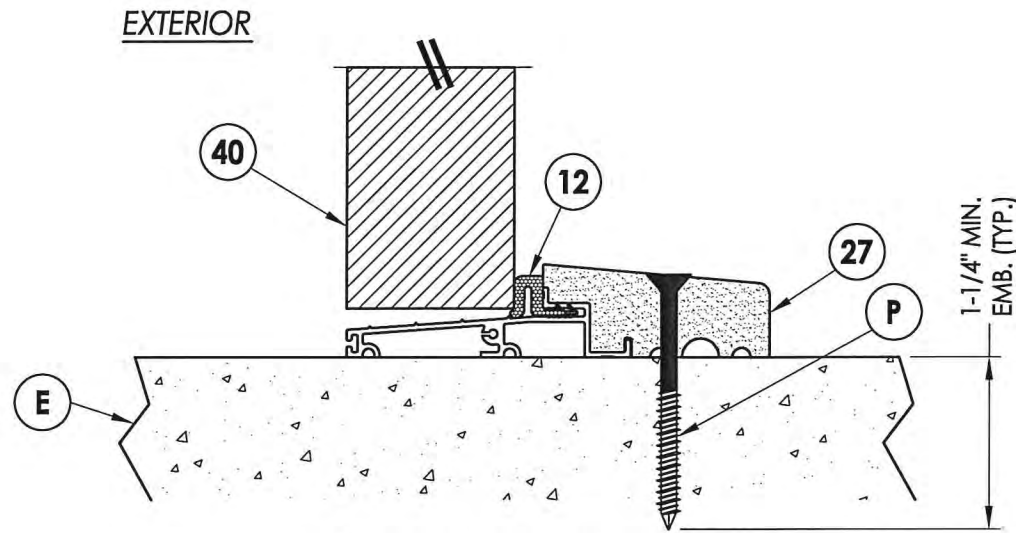
1 VERTICAL CROSS SECTION  
5



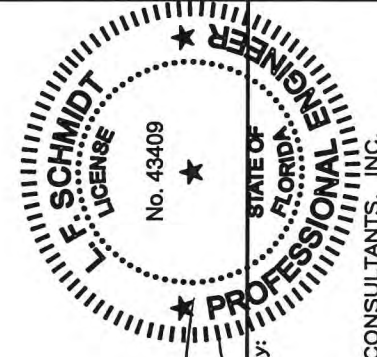
2 VERTICAL CROSS SECTION  
5 Shown w/1X sub-buck



3 VERTICAL CROSS SECTION  
5 Outswing sill - high dam



4 VERTICAL CROSS SECTION  
5 Outswing sill



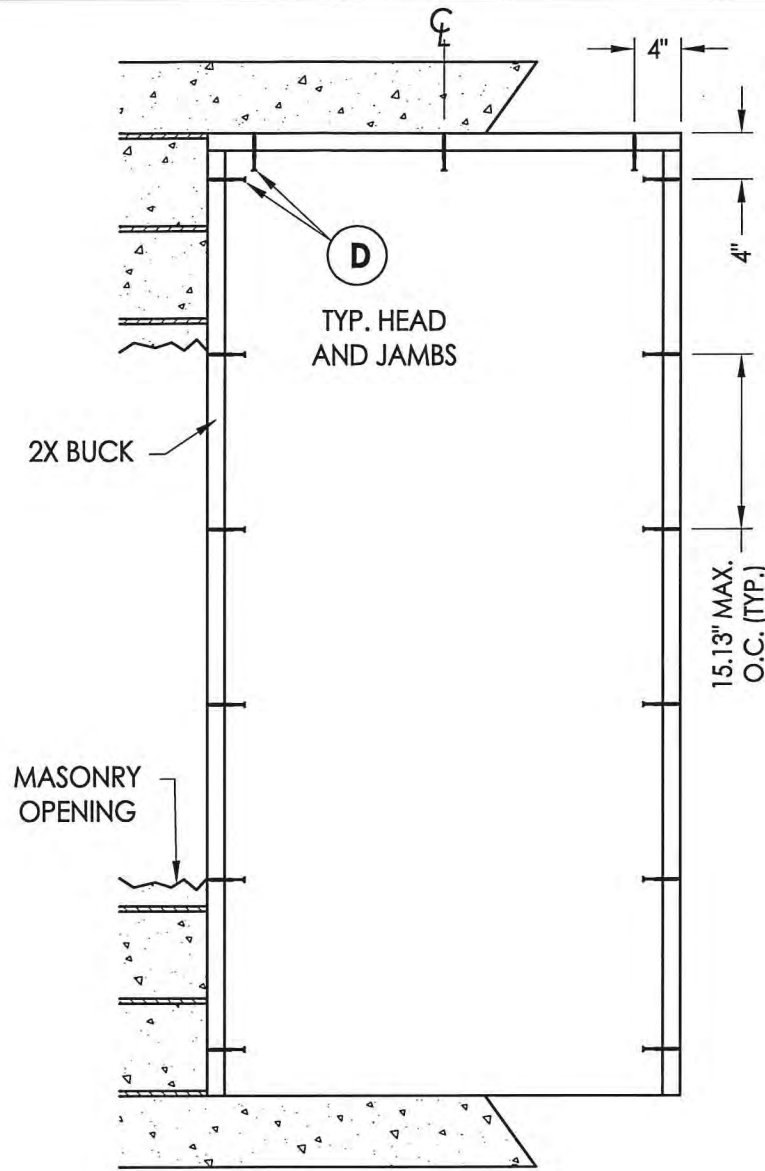
Documents Prepared By:  
Lyndon F. Schmidt  
P.E. No. 43409  
R.W. BUILDING CONSULTANTS, INC.  
P.O. Box 230, Valrico, FL 33595  
Phone No.: 813.659.9197  
FBPE C.A. No. 9813

PRODUCT: TRINITY GLASS INT'L  
PART OR ASSEMBLY: VERTICAL CROSS SECTIONS

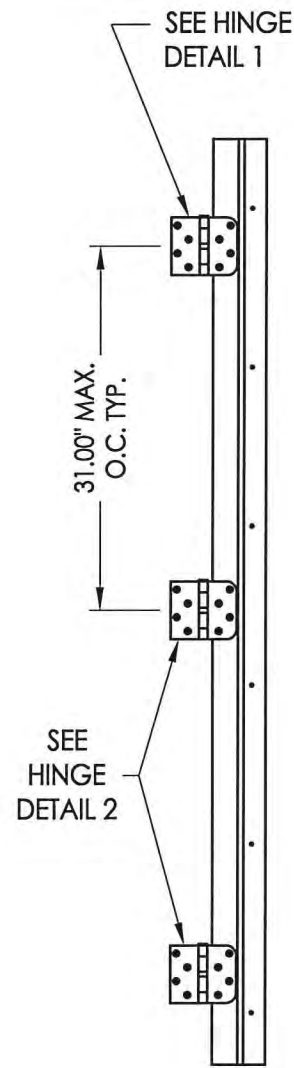
REVISIONS	
NO.	DATE
1	03/02/15
	UPDATE TO 5TH ED. (2014) FBC
	JK BY

DATE: 02/27/12  
SCALE: N.T.S.  
DWG. BY: JK  
CHK. BY: LFS  
DRAWING NO.: FL-15255.5  
SHEET 5 OF 8

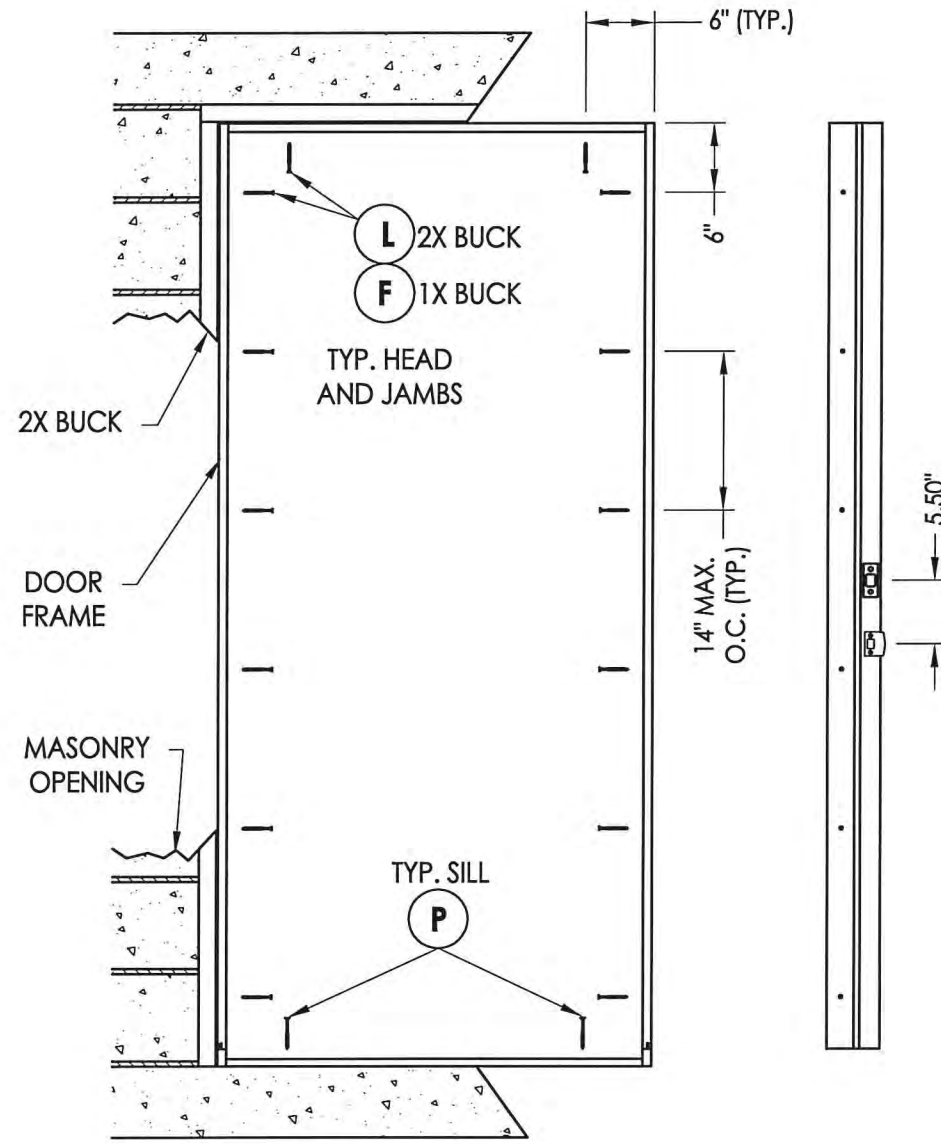
R:\Clients\Trinity PERMANENT\Florida Product Approvals\FL-15255\C - Drawings\FL-15255\FL-15255-5-8.dwg, 5.1



**BUCK ANCHORING**

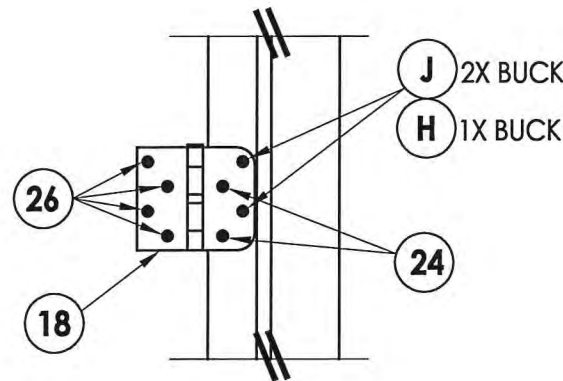
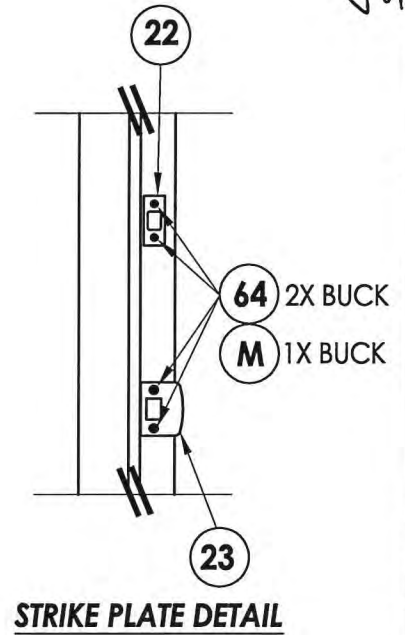


**HINGE JAMB**

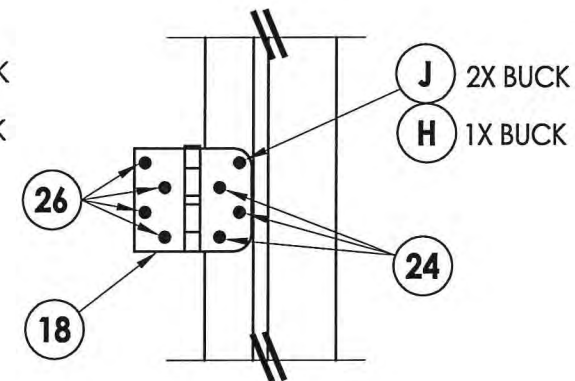


**FRAME ANCHORING**  
Masonry construction

**STRIKE JAMB**



**HINGE DETAIL 1**



**HINGE DETAIL 2**

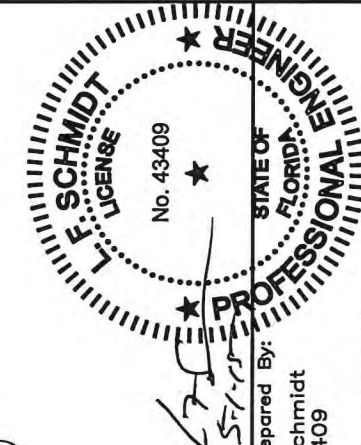
**CONCRETE ANCHOR NOTES:**

- Concrete anchor locations at the corners may be adjusted to maintain the min. edge distance to mortar joints.
- Concrete anchor locations noted as "MAX. ON CENTER" must be adjusted to maintain the min. edge distance to mortar joints, additional concrete anchors may be required to ensure the "MAX. ON CENTER" dimension are not exceeded.
- Concrete anchor table:

ANCHOR TYPE	ANCHOR SIZE	MIN. EMBEDMENT	MIN. CLEARANCE TO MASONRY EDGE	MIN. CLEARANCE TO ADJACENT ANCHOR
ITW TAPCON®	1/4"	1-1/4"	2"	4"
ELCO ULTRACON®	1/4"	1-1/4"	1"	4"
ITW TAPCON®	3/16"	1-1/4"	3"	1-1/2"

**WOOD SCREW INSTALLATION NOTES:**

- Maintain a minimum 5/8" edge distance, 1" end distance, & 1" o.c. spacing of wood screws to prevent the splitting of wood.



Documents Prepared By:  
Lyndon F. Schmidt  
P.E. No. 43409

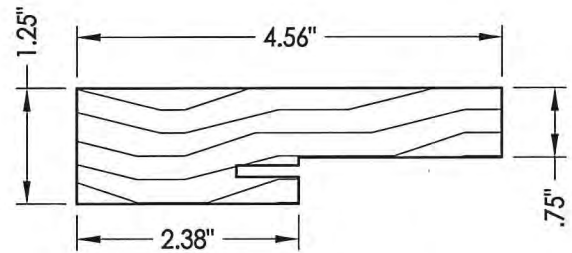
**R.W.** BUILDING CONSULTANTS, INC.  
P.O. Box 230, Valrico, FL 33595  
Phone No.: 813.659.9197  
FBPE C.A. No. 9813

PRODUCT:	TRINITY GLASS INT'L
PART OR ASSEMBLY:	BUCK AND FRAME ANCHORING

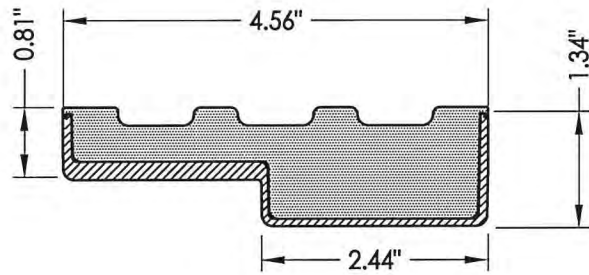
NO.	DATE	BY	REVISIONS
1	03/02/15	JK	UPDATE TO 5TH ED. (2014) FBC

DATE:	02/27/12
SCALE:	N.T.S.
DWG. BY:	JK
CHK. BY:	LFS
DRAWING NO.:	FL-15255.5
SHEET	6 OF 8

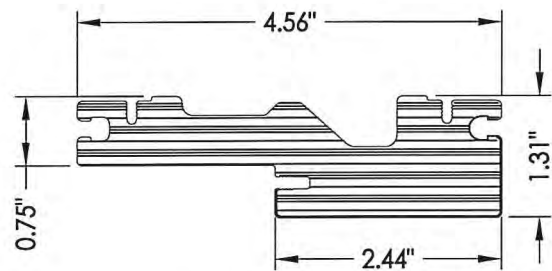




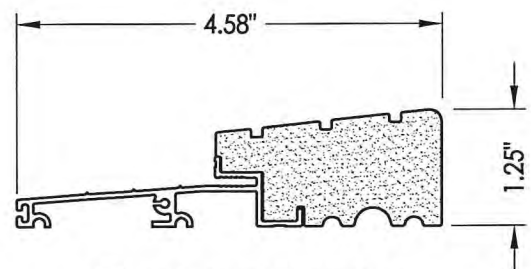
**1 HEAD AND JAMBS**  
Wood



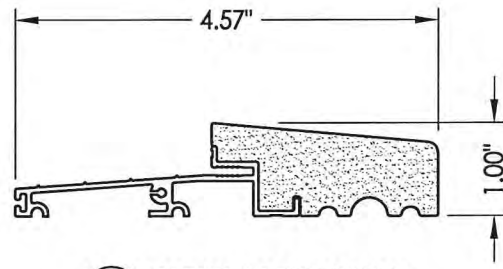
**2 HEAD AND JAMBS**  
Composite PVC Base  
w/ Fiberglass Wrap



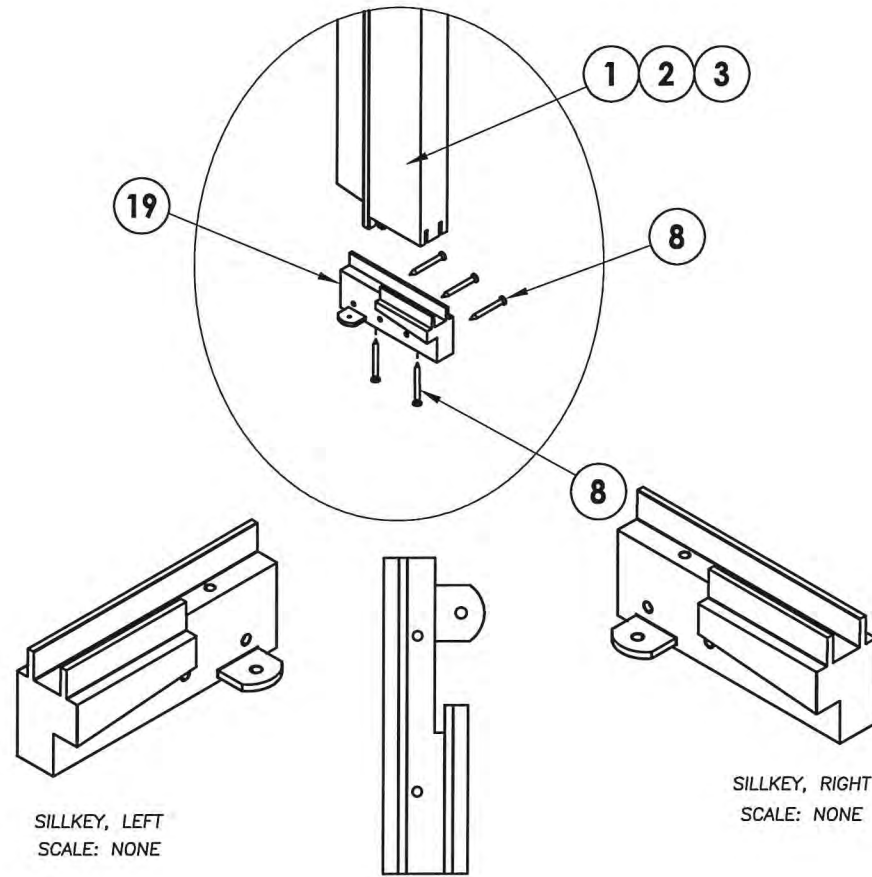
**3 HEAD AND JAMBS**  
PVC



**25 OUTSWING THRESHOLD**  
High-dam

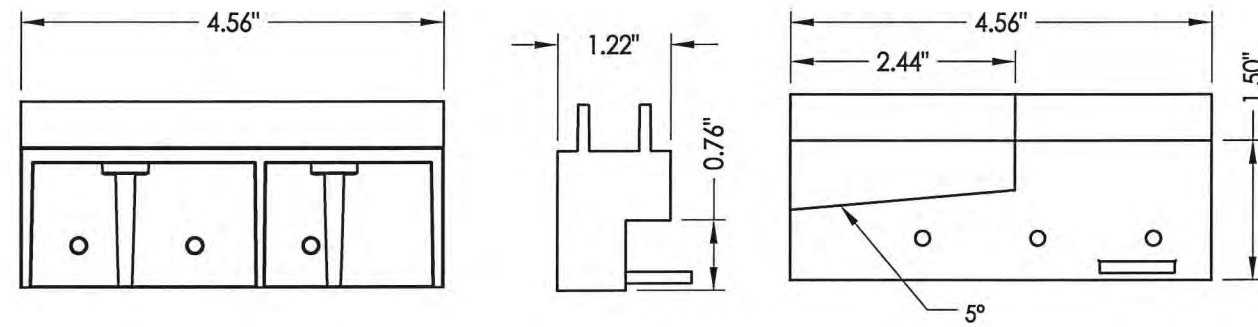


**27 OUTSWING THRESHOLD**

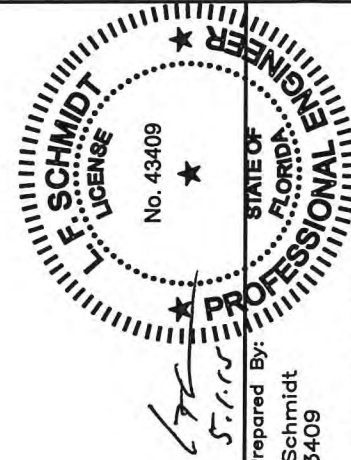


SILLKEY, LEFT  
SCALE: NONE

SILLKEY, RIGHT  
SCALE: NONE



**19 SILLKEY DETAILS**  
Optional



Documents Prepared By:  
Lyndon F. Schmidt  
P.E. No. 43409

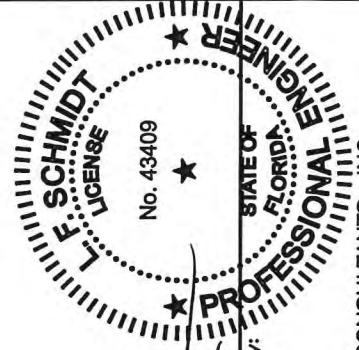
**R.W.** BUILDING CONSULTANTS, INC.  
P.O. Box 230, Valrico, FL 33595  
Phone No.: 813.659.9197  
FBPE C.A. No. 9813

PRODUCT:	TRINITY GLASS INT'L
PART OR ASSEMBLY:	COMPONENTS

NO.	DATE	BY	JK
1	03/02/15	JK	UPDATE TO 5TH ED. (2014) FBC

DATE:	02/27/12
SCALE:	N.T.S.
DWG. BY:	JK
CHK. BY:	LFS
DRAWING NO.:	FL-15255.5
SHEET	7 OF 8

BILL OF MATERIALS		
ITEM #	DESCRIPTION	MATERIAL
A	1X BUCK SG >= 0.55	WOOD
B	2X BUCK SG >= 0.55	WOOD
C	1/4" MAX. SHIM SPACE	-
D	1/4" X 2-3/4" PFH ELCO OR ITW CONCRETE SCREW	STEEL
E	MASONRY - 3,000 PSI MIN. CONCRETE CONFORMING TO ACI 301 OR HOLLOW BLOCK CONFORMING TO ASTM C90	CONCRETE
F	1/4" X 3-3/4" PFH ITW CONCRETE SCREW	STEEL
H	1/4" X 3-1/4" PFH ITW CONCRETE SCREW	STEEL
J	#9 X 2-1/4" PFH WS	STEEL
L	#8 X 2-1/2" PFH WS	STEEL
M	3/16" X 3-1/4" PFH ITW CONCRETE SCREW	STEEL
P	1/4" X 2-3/4" PFH ELCO OR ITW CONCRETE SCREW	STEEL
1	JAMB (FINGER-JOINT PINE - SG >= 0.42)	WOOD
2	JAMB	PVC
3	JAMB	FIBERGLASS/COMP
8	#6 X 1-1/4 PFH DRYWALL SCREW	STEEL
12	WEATHER STRIP QEBD650 Q-LON	-
18	3.983" X 4.0" HINGE MIN 0.098" THICK	STEEL
19	SILLKEY	PC/ASA
22	DEADBOLT STRIKE PLATE	STEEL
23	STRIKE PLATE	STEEL
24	#9 X 5/8" PFH WS	STEEL
25	OUTSWING HIGH-DAM THRESHOLD ALUMINUM W/ COMPOSITE SUBSTRATE	ALUM./ COMP.
26	#9 X 1.0" PFH WS	STEEL
27	OUTSWING THRESHOLD ALUMINUM W/ COMPOSITE SUBSTRATE	ALUM./ COMP.
40	DOOR PANEL - SEE DOOR PANEL DETAIL SHEET FOR CONSTRUCTION DETAILS	-
64	#8 X 2" PFH WOOD SCREW	STEEL



172  
5-1-15

Documents Prepared By:  
Lyndon F. Schmidt  
P.E. No. 43409

**RW**  
BUILDING CONSULTANTS, INC.  
P.O. Box 230, Valrico, FL 33595  
Phone No.: 813.659.9197  
FBPE C.A. No. 9813

PRODUCT: TRINITY GLASS INT'L  
PART OR ASSEMBLY: BILL OF MATERIALS

NO.	DATE	BY	REVISIONS
1	03/02/15	JK	UPDATE TO 5TH ED. (2014) FBC

DATE: 02/27/12  
SCALE: N.T.S.  
DWG. BY: JK  
CHK. BY: LFS  
DRAWING NO.: FL-15255.5  
SHEET 8 OF 8